



Features

- ❑ IEC 60601-1-8 compliant visual & sound alarm design: LED light bar & 2x5W speakers
- ❑ Front full flat IP65 cover & chassis with anti-microbial finish for strict disinfection requirements
- ❑ Onboard Intel Alder Lake-N processor satisfies low-power consumption requirement and scenarios
- ❑ COM port reserved for reliable connection to vital sign device
- ❑ Rich USB ports for flexible peripheral device connection, USB type C included for video output
- ❑ 12V ~ 36V wide voltage DC in
- ❑ CE/FCC/Medical UL certified



Indicator For Alarms



User Friendly Design



Front IP65 Protection



Reliable COM Port Connection



Infection Control

Specification

System Information

Processor	Intel® Alder Lake-N Processor Intel® Processor N97, 6M Cache, up to 3.60 GHz (12W)
System Memory	1 x 262-pin DDR5 4800MHz SO-DIMM socket, supports up to 16GB
I/O Chipset	IT5782VG
TPM	TPM 2.0

Expansion

Expansion	1 x M.2 Key E 2230 slot (PCIex1, USB2.0)
-----------	--

Storage

M.2	1 x M.2 Key B 2242/3042/3052 for storage (SATAIII)
-----	--

Display

LCD Size	13.3"
Display Type	Full HD
Resolution	1920 x 1080
Contrast Ratio	1000 : 1
Luminance	300 cd/m2
Pixel Pitch	0.153 (H) x 0.153 (V)
Viewing Angle	89 (U), 89 (D), 89 (L), 89 (R)
Response Time	27 ms
Backlight	LED
Touch Type	Projective capacitive multi-touch up to 10 points
Touch Light Transmission	85%
Touch Controller	USB touch (EETI)

I/O Ports

USB Port	4 x USB 3.2 at bottom 2 x USB 3.0 at side 1 x USB Type C (USB, display, 5V/3A 15W power output)
LAN Port	2 x RJ-45
COM Port	1 x DB-9 COM1 RS-232 (default)/422/485, selectable by BIOS & JUPMER, RS-485 supports Auto Flow, Pin-9 selected by JUPMER for Ring (default)/+5V/+12V

System Control

LED Indicator	2 x tri-color LED light indicator
---------------	-----------------------------------

Audio

Audio Codec	Realtek ALC888S
Speaker Output	2 x 5W

Ethernet

LAN Chipset	2 x Intel® I226LM 2.5 GbE Ethernet
Ethernet Interface	10/100/1000/2500 Base-Tx GbE compatible

Wireless Communication

Bluetooth	Optional Wi-Fi + bluetooth 5.0 USB module
WLAN	Optional Wi-Fi + bluetooth 5.0 USB module (Intel Wi-Fi 6E AX210 with PCB Antenna)

Power Requirement

Power Mode	AT/ATX (ATX is default setting)
DC Input	+24V (+12V ~ +36V DC in support)
DC Input Connector	Lockable DC Jack
Adapter	Medical grade Input: 100 ~ 240V, Vac/ 50 ~ 60Hz Output: 72W 24V/3A adapter

Software Support

OS	Win10/ Win11/ Linux
----	---------------------

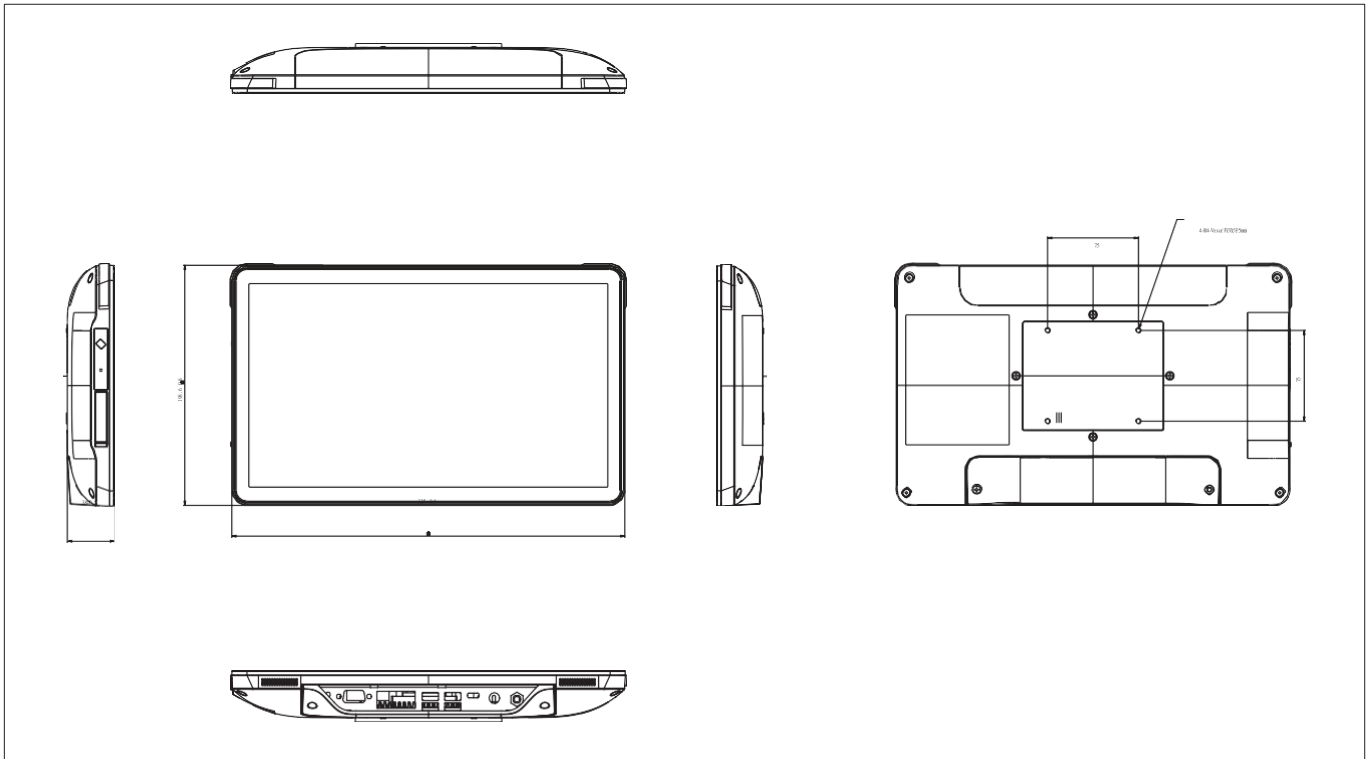
Certification

Certification Information	CE: IEC/ EN60601-1-2 FCC: Part 15 class B UL60601-1
---------------------------	---

Mechanical & Environmental

Dimension (mm)	198 x 325 x 38
Weight (kg)	1.1
Construction - Front	White plastic
Construction - Rear	White plastic
Finishing	Anti-microbial
Mounting	VESA 75 x 75 mm
Operating Temp.	0°C ~ 40°C (32°F ~ 104°F)
Operating Humidity	40°C @ 95% relative humidity, non-condensing
Storage Temp.	-10°C ~ 60°C (14°F ~ 140°F)
System Fan	Fanless
Vibration Test	With SSD/mSATA : 1.5Grms, IEC 60068-2-64, random, 5 ~ 500Hz, 30min/axis
Shock Test	With CF/SSD : 10Grms, IEC 60068-2-27, half sine, 11ms
Drop Test	Package drop test Reference ISTA 2A, method : IEC-60068-2-32 Test:Ed Test Ea : drop test
IP Rating	Front IP65

Mechanical Drawing



Ordering Information

P/N	Touch Type	Processor	Memory	Storage	Panel Size	Resolution	Brightness	I/O Ports (COM/USB/LAN)	Display Output	Power Input	Working Temp.
HID-1337-N97-A1R	PCAP	N97	8GB	N/A	13.3"	1920 x 1080	300 cd/m ²	1 COM/ 6 USB/ 2 LAN	1 USB Type C	+24V	0°C ~ 40°C (32°F ~ 104°F)

Packing List

Item	Quantity
HID-1337 Medical Panel PC	1
72W Medical Power Adapter	1

Optional Items

Items	P/N
WiFi/BT Module Kit for 1337	E971XHI2340003R
USB RFID Dongle	RCC-USB-RFID-01R
HID White Stand VESA 100 x 100/ 75 x 75	ACC-ARM-D55R
EU Power Cord	E1702031000R
US Power Cord	E1702031833R
JP Power Cord	E170203183CR
UK Power Cord	E170P060380R
AU Power Cord	E1702031831R
CN Power Cord	E170P060391R

I/O Overview

