



## Features

- Side two-color light bar for intuitive status/ alarm notification
- Powered LAN & VESA mounting compliance for easy installation
- Rockchip RK3568 Quad-core Cortex-A55 2.0GHz
- NFC for nurse identification and quick data transmission
- Android / Debian OS support



LED Indicator  
For Alarms



Powered  
LAN



Easy  
Installation



Quick ID  
Identification



User Friendly  
Design

## Specifications

### System Information

Processor	Rockchip RK3568 Arm Quad Cortex-A55, up to 2.0GHz
System Memory	4GB LPDDR4
Graphic Chipset	Mali-G52 support OpenGL ES 1.1/2.0/3.2, Vulkan 1.0/1.1, OpenCL 2.0
OS Support	Android 11/ Debian 11

### Expansion Slot

M.2	1x M.2 Key B 3042 (SATA3 / USB 2.0, support SSD/LTE Module)
-----	--

### Storage

Storage	64GB eMMC
Other Storage	1x Micro SD

### Display

Size	10.1"
Resolution	1280 x 800
Luminance	350 cd/m <sup>2</sup>
Contrast Ratio	800
Viewing Angle	170°/ 170°

### Touchscreen

Touch Type	Projective capacitive multi-touch up to 10 points
------------	---

### I/O Ports

USB Ports	2 x USB 3.0
LAN Port	1x RJ-45
COM Port	1x RS-232/485 (RJ-45 Type)
Audio Port	1x Audio jack

### Audio

Speaker Output	2 x 4Ω 2.0W/2.2W (MAX)
Microphone	Built-in mic

### Indicator

LED Indicator	2 x Dual color light bar
---------------	--------------------------

### Ethernet

LAN Chipset	Realtek RTL8211F-CG
Ethernet Interface	10/100/1000 Base-Tx GbE compatible

### Wireless Communication

Bluetooth	Optional BT 5.0
WLAN	Optional Wi-Fi 802.11ac/a/b/g/n

### Data Collection

NFC	Support NFCIP-1, NFCIP-2, ISO/IEC 14443, ISO/IEC 15693, MIFARE and FeliCa
Camera	Front 2.0 MP camera

### Power Requirement

DC Input	12~24V DC in/ Powered LAN
DC Input Connector	Lockable DC Jack
Adapter	Optional Input: 100~240 Vac/ 50~60Hz Output: 60W (12V/5A) adapter

### Certification

Certificate Information	CE/FCC Class B
-------------------------	----------------

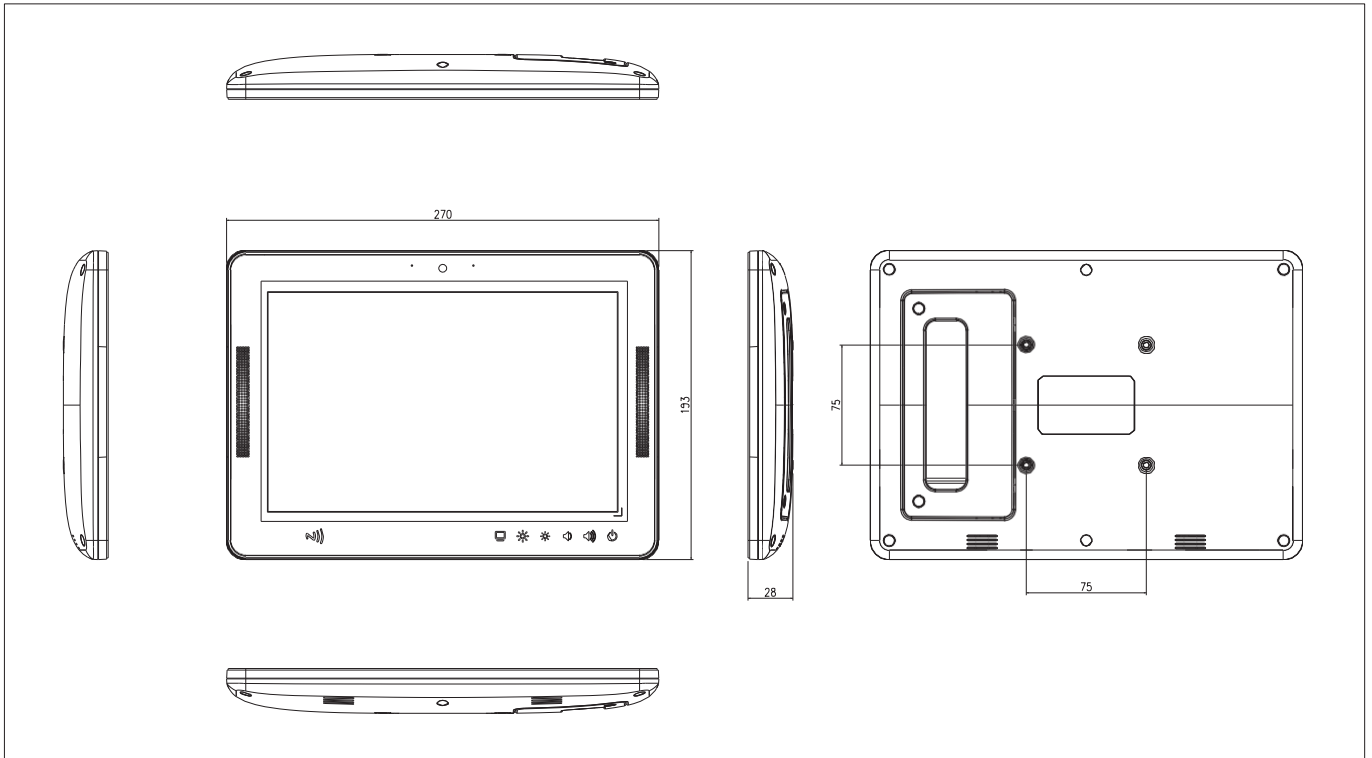
### Mechanical & Environmental

Dimension (mm)	270 x 193 x 28
Weight (kg)	1.1
Construction	Plastic PC +ABS
Mounting	VESA 75 x 75 mm
Operating Temp.	0°C ~40°C (32°F ~104°F)
Operating Humidity	40°C @ 95% Relative Humidity, Non-condensing
Storage Temp.	-10°C ~60°C (14°F ~140°F)
System Fan	Fanless
IP Rating	Front panel IP65

# VNS-10WR2

Arm-based 10.1" Panel PC  
with Intuitive Light Indicators for Corridor Display

## Mechanical Drawing



## Ordering Information

P/N	Description	Processor	Memory	Storage	I/O Ports (COM/USB/LAN)	Power Input	OS Support
VNS-10WR2-CW49-1R	10.1" 1280 x 800, 350nits, Venus, NFC/BT/WiFi, w/o power adapter and power cord	Rockchip RK3568	4GB LPDDR4	64GB eMMC	1COM/ 2 USB/ 1LAN	DC 12~24V/ Powered Lan	Android 11/ Debian 11

## Packing List

Item	Quantity
VNS-10WR2 Panel PC	1

## Optional Items

Item	P/N
AC/DC Adapter 12V/5A 60W Screw Type	ACC-ADP-060N-08R
Power Cord	E1702031835R

## I/O Overview

