



Features

- Intel® 14th Gen Meteor Lake Core™ Ultra 5 125U processor
- 23.8" Full HD PCAP touch panel PC
- Sleek light weight design, thickness 49.5mm only
- Rich I/O for data transmission & accessory integration: 2 x COM, 2 x LAN, 4 x USB 3.2, 1 x USB C, 1 x HDMI
- Optional camera, NFC, WiFi for streamline clinical workflow
- CE/FCC/VCCI/UKCA



+12V ~+24V



PCAP multi-touch



Fanless



0°C ~40°C



Front IP65

Specifications

System Information

Processor	14th Gen Meteor Lake Core™ Ultra 5 processor 125U
System Memory	1 x 262-pin DDR5 5600 MHz SO-DIMM Supports Up to 32GB
TPM	2.0

Expansion

Expansion	1x M.2 Key E 2230 support WiFi module
-----------	---------------------------------------

Storage

Solid State Drive	1x 2.5" SATAIIISSD
-------------------	--------------------

Display

LCD Size	23.8"
Display Type	Full HD
Resolution	1920x 1080
Pixel Pitch	274.5mm x 274.5mm
Luminance	250cd/m2
Contrast Ratio	3000:1
Viewing Angle	89 (U), 89 (D), 89 (L), 89 (R)
Response Time	16 ms
Backlight	LED
Touch Light Transmission	87%
Touch Type	Projective capacitive multi-touch up to 10 points

I/O Ports

USB Port	2 x USB 3.2 Gen2, 2 x USB 3.2 Gen1 1 x USB C
LAN Port	2 x RJ-45
COM Port	2 x RS-232
Wireless LAN Antenna	2 x PCB Antenna
Video Output	1 x HDMI

Audio

Audio Codec	RealTek ALC888S-VD2-G
Speaker Output	2x2W

Ethernet

LAN Chipset	1x Intel® I226V; 1x Intel® I226LM
Ethernet Interface	10/100/1000/2500 Base-Tx GbE compatible

Wireless Communication

WLAN	Optional Wi-Fi +Bluetooth 5.3 USB Module, Intel Wi-Fi 6E AX210
Bluetooth	Optional Wi-Fi +Bluetooth 5.3 USB Module, Intel Wi-Fi 6E AX210

Data Collection

NFC	Optional NFC module
Camera	Optional 5.0M AF camera

Power Requirement

Power Mode	ATX/ AT
DC Input	+12V ~+24V
DC Input Connector	Lockable DC jack
Adapter	Input: 100 ~240Vdc/ 50 ~60Hz Output: 90W 24V/3.75A adapter

Software Support

OS	Win11/Linux Ubuntu
----	--------------------

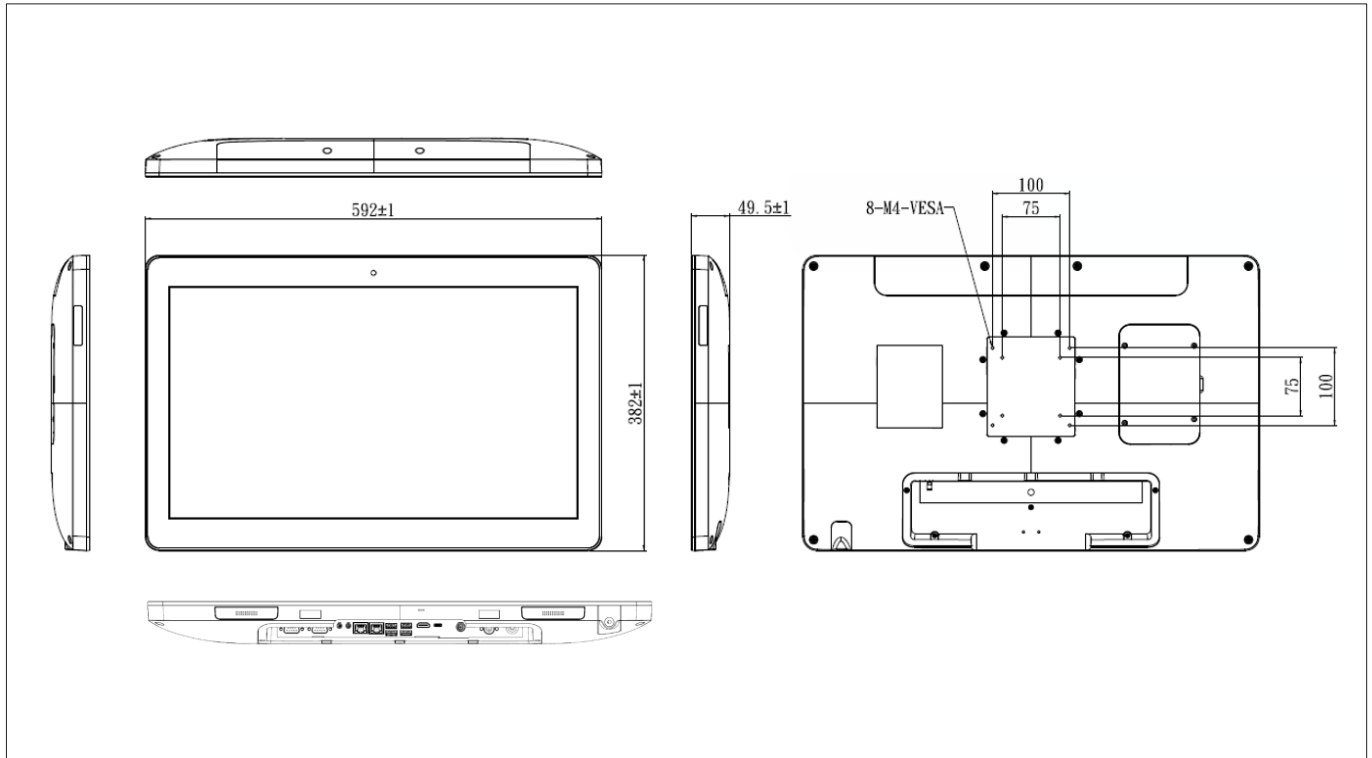
Certification

Certification Information	CE/ FCC Class A/ VCCI/ UKCA
---------------------------	-----------------------------

Mechanical & Environmental

Dimension (W x L x H)	592 x 382 x 49.5 mm
Weight	6.2 kg
Mounting	VESA 75 x 75/ 100 x 100 mm
Construction	Plastic
Color	White
Finishing	Anti-microbial
Operating Temp.	0°C ~40°C (32°F ~104°F)
Operating Humidity	40°C @ 95% Relative Humidity, Non-condensing
Storage Temp.	-10°C ~ 60°C (14°F ~ 140°F)
System Fan	Fanless
Vibration Test	1.5Grms, IEC 60068-2-64, random, 5 ~ 500Hz, 30min/axis
Shock Test	10Gms, IEC 60068-2-27, half sine, 11ms
IP Rating	Front IP65

Mechanical Drawing



Ordering Information

P/N	TouchType	Processor	Memory	Storage	Panel Size	Resolution	Luminance	I/O Ports (COM/USB/LAN)	Display Output	Power Input	Working Temp.
APC-2346-125-A2R	PCAP	Ultra 5 125U	8GB	N/A	23.8"	1920x 1080	250	2/5/2	USB C, HDMI	+12V ~+24V	0°C~40°C

Packing List

Item	Quantity
APC-2346 Panel PC	1
90W Power Adapter	1

Optional Items

Item	P/N
WiFi/ BT, Intel® Wi-Fi 6E AX210	E971XAP2340001R
NFCModule	E971XAP2340003R
5.0M Auto Focus CMOS Camera	E971XAP2340002R
EU Power Cord	E1702031000R
US Power Cord	E1702031833R
JP Power Cord	E17020318034R
UK Power Cord	E170P060380R

I/O Overview

